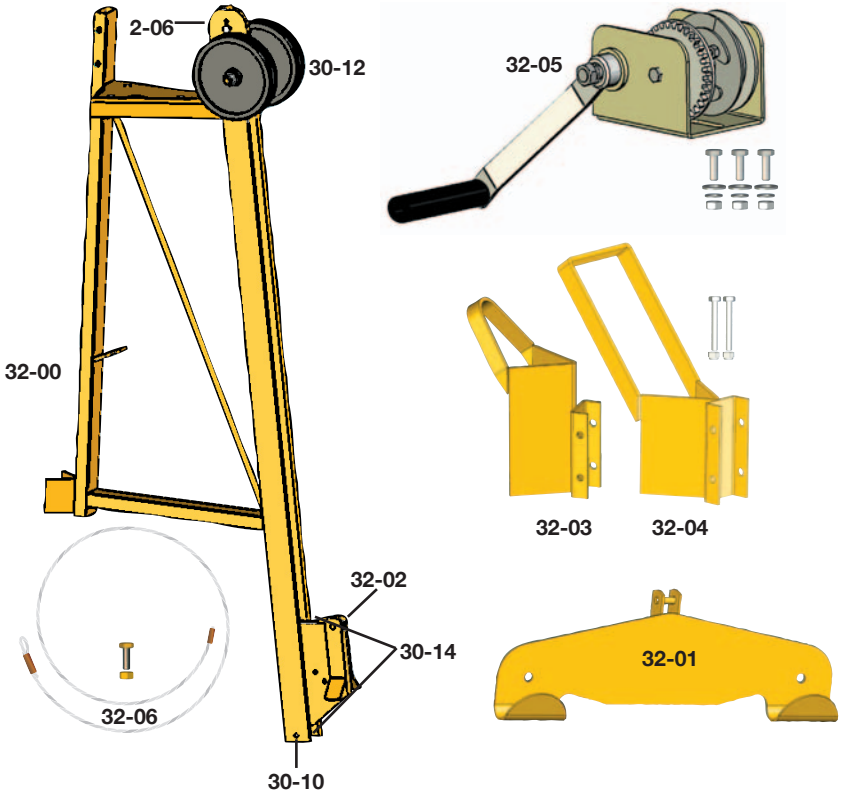


# PARTS INDEX LOADER ATTACHMENT 195



## PARTS LIST:

<b>Part#</b>	<b>Description</b>
2-06	Cable Sheave w/ Axle & Pins
30-10	Stop Bolt w/ Fasteners
30-12	Guide Wheel w/ Fasteners
30-14	Lift Bracket Rollers
32-00	Frame
32-01	Foot Bracket
32-02	Roller Pocket
32-03	Mount Bracket w/ Fasteners 138-2/182
32-04	Mount Bracket w/ Fasteners 439/460
32-05	Loader Winch w/ Fasteners
32-06	Cable 48"

**PARAGON PRO**  
MANUFACTURING SOLUTIONS

To Order Parts Call: 1(800) 448-0822