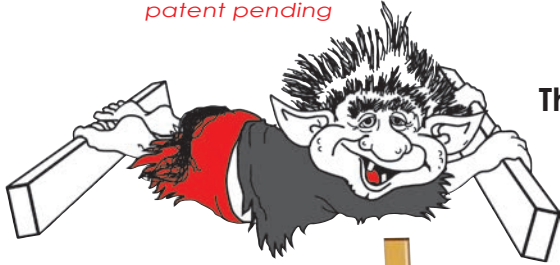


Troll® Bridge™

Modular Cart System
patent pending

Super Size Your Troll® material cart!



The Troll® drywall cart just got bigger- a whole lot bigger!

The Troll® Bridge™ modular cart system connects two Troll® material handling carts* to make one bulk capacity monster that allows you to fork lift units of material onto the cart. The combined cart can be used to haul drywall, boards, pipes, HVAC duct as well as countless other construction materials.



Drywall Carts*



Assembled Unit:
9' LONG
4' WIDE
12" Stacking Height

NEW



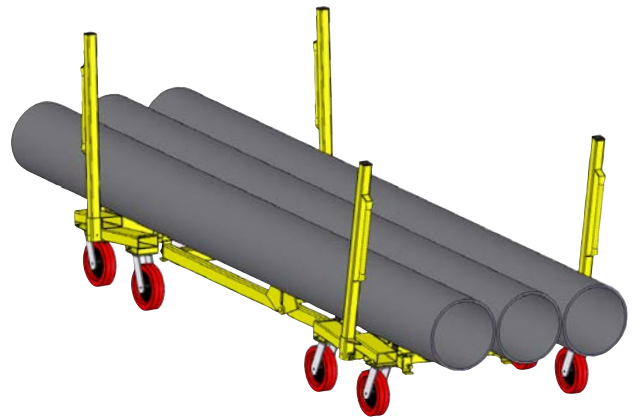
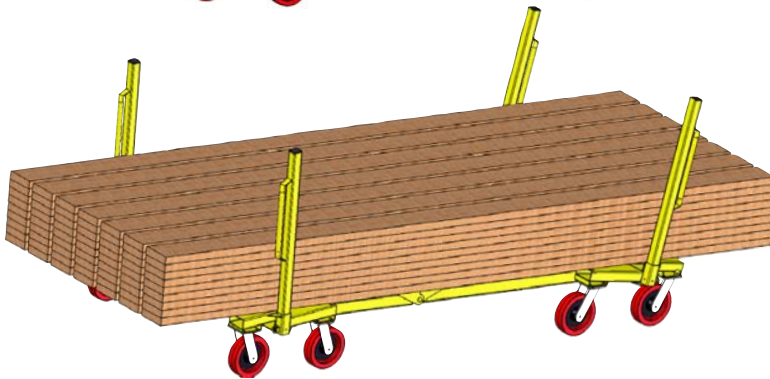
Troll® Bridge™
Modular Cart System

Upright handles store onboard when you need a flat cart.

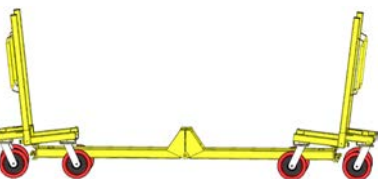
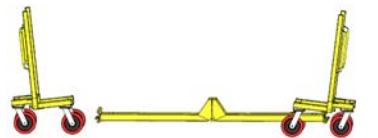
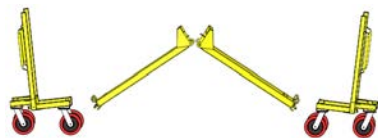
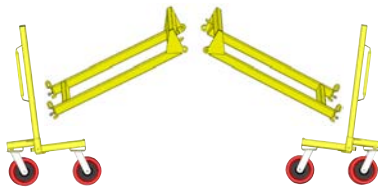
*Works with model 1270 or 1361 Troll® carts.

Moves more than just drywall!

When you need a huge capacity cart for moving awkward or oversized material around the worksite. The Troll® Bridge modular cart system can handle it. Stack the cart by hand or by forklift.



Assembly is easy:



Troll® Bridge™

Modular Cart System
patent pending

Toll Free: 1.800.448.0822

FAX: 701.775.0629

Website: www.telproinc.com

E-Mail: telpromktg@telproinc.com



Made in the USA by Telpro Inc. © 2009