

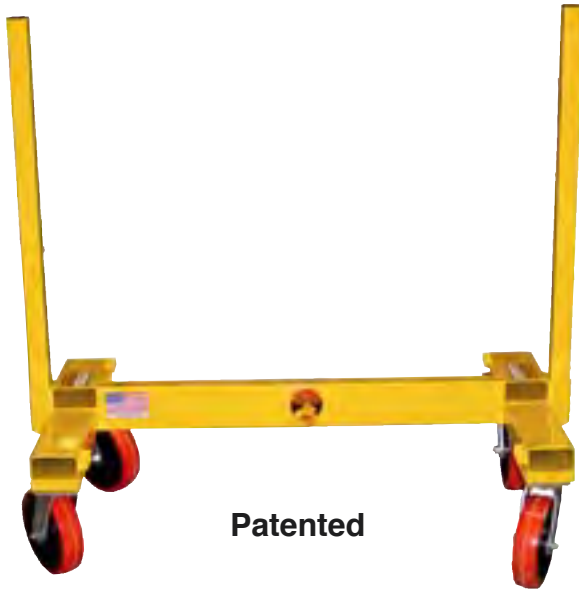


The Troll

MATERIAL HANDLING CART

MADE IN THE USA BY **Talpro Inc.** GRAND FORKS ND
PATENT COVERED BY ONE OR MORE OF THE FOLLOWING (PATENT PENDING / 8,032,966)

Model 1361 Operator's Manual



**PROUDLY MADE
IN THE U.S.A.**



Form #42-13-00-00.3-04-03

PARAGON PRO
MANUFACTURING SOLUTIONS

7251 So. 42nd Street
Grand Forks, ND 58201
Phone 1-800-448-0822
Fax 1-800-474-9993



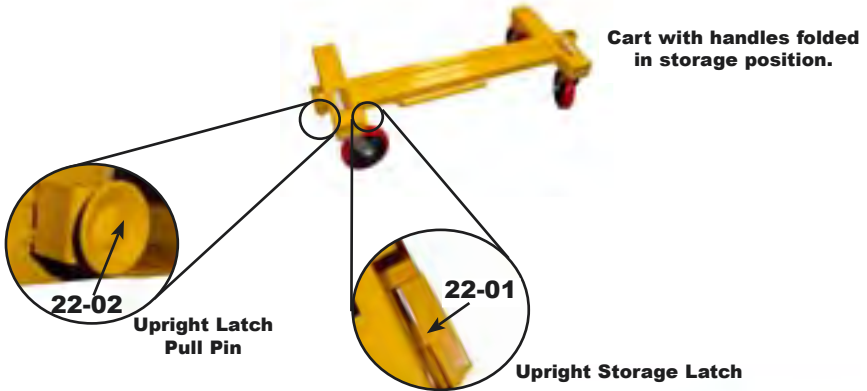
**How many ways can you use
your Troll® Cart?**



Front View



Back View



Cart easily converts into a flatbed by placing the upright tubes in the front and rear storage trays.



Parts Index

<u>Part #</u>	<u>Description</u>
22-01	Upright Storage Latch
22-02	Upright Latch Assembly
22-03	Upright Tube
22-04	(3) 8" Swivel Casters w/ Fasteners
22-05	Upright End Cap
22-14	(1) 8" Locking Brake Caster

Model 1361 Accessories Order Form

Deck Skid Plate



Light weight, heavy duty high density polyethylene, stays in place when you need it. Removes easily and stores when you don't need it.

Part # _____ **Description** _____

22-12 Deck Skid Plate
High Density Polyethylene

Parts List

22-01 Upright Storage Latch
22-02 Upright Latch Assembly
22-03 Upright Tube
22-04 (1) Swivel 8" Caster
22-05 Upright End Cap
22-14 (1) Swivel-Locking / braking Caster



Call for pricing



USE THIS ORDER FORM TO PLACE ORDERS

PHONE 1-800-448-0822 FAX 1-800-474-9993

EMAIL sales@paragonpromfg.com

Quantity	Description	Price	

- VISA
- MC
- DISCOVER
- AE
- CHECK
- MONEY ORDER

Sub Total		
Shipping		
Total		

CARD#

--	--	--	--	--	--	--	--	--	--	--	--	--	--	--	--	--	--	--	--	--

EXP. DATE

--	--	--	--

MAIL ORDER TO:

PARAGON PRO
MANUFACTURING SOLUTIONS

7251 South 42nd St.
Grand Forks, ND 58201
www.paragonpromfg.com

Signature

Name _____

Street _____ City _____ State _____

Zip _____ Phone# _____

This product contains trace amounts of the following items which are known to cause cancer and/or developmental harm in the state of California.

These chemicals are not hazardous under product's intended use.

Please review CAS# for more information.

Chemical	Hazard	CAS#	% By Weight
Arsenic	Cancer	7440-38-2	Trace
Cadmium	Developmental	7440-43-9	Trace
Chromium	Cancer, Developmental	7440-47-3	Trace
Ethylbenzene	Cancer	100-41-4	Trace
Lead	Cancer	7439-92-1	Trace
Methanol	Developmental	67-56-1	Trace
Methylene Chloride (Dichloromethane)	Cancer	75-09-2	Trace
Nickel	Cancer	7440-02-0	Trace
Propylene glycol monobutyl ether	Cancer	5131-66-8	Trace
Toluene	Developmental	108-88-3	Trace

