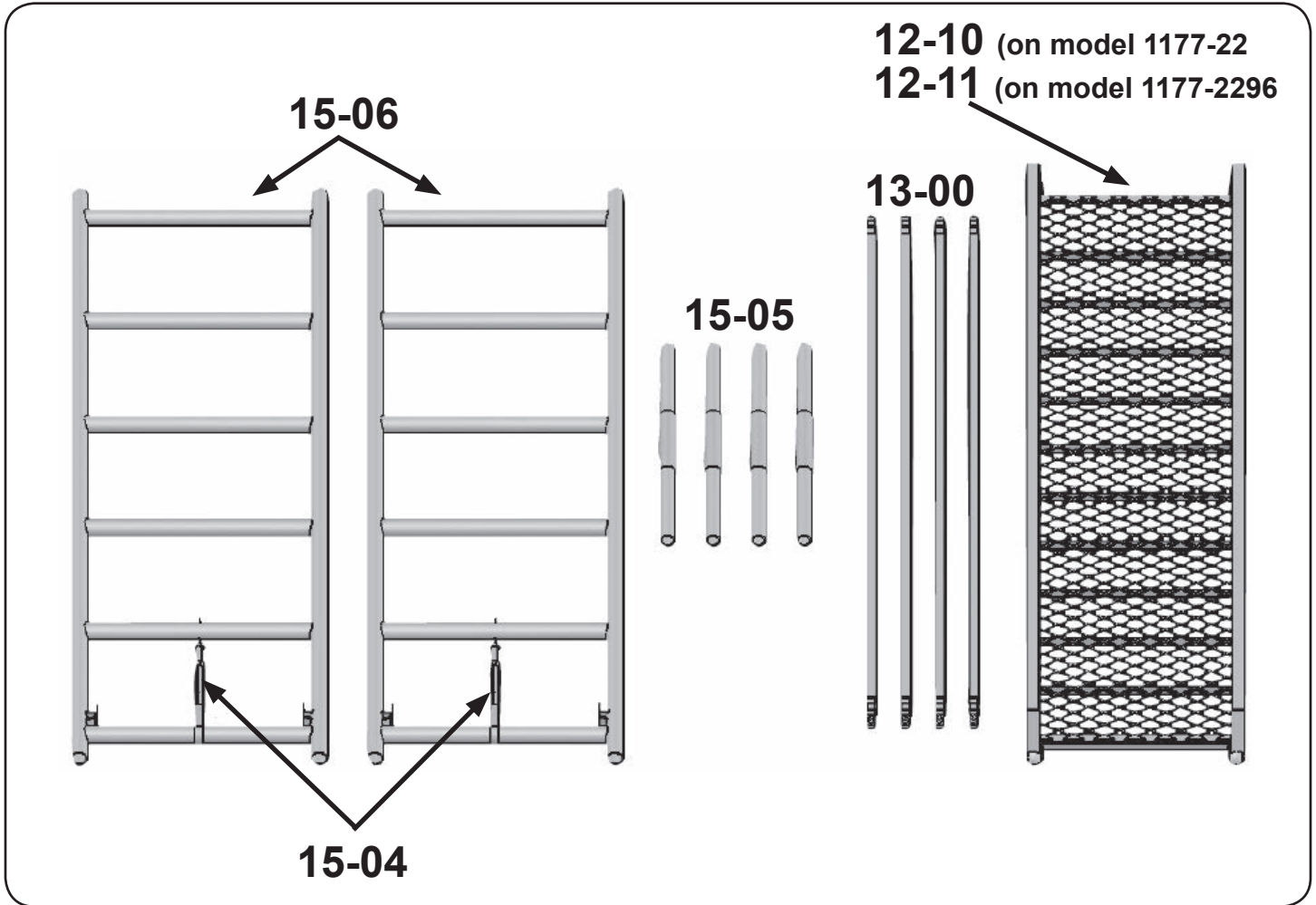


Extension Components



Parts Index

Part #	Description
15-06	Complete Extension Ladder (each)
15-05	Extension Coupler Pipes (each)
13-00	Anti-Sway Braces (each)
12-10	Deck for Model 1177-22 Extension (nominally 6' long)
12-11	Deck for Model 1177-2296 (nominally 8' long)
15-04	Turnbuckle Fastening Assembly