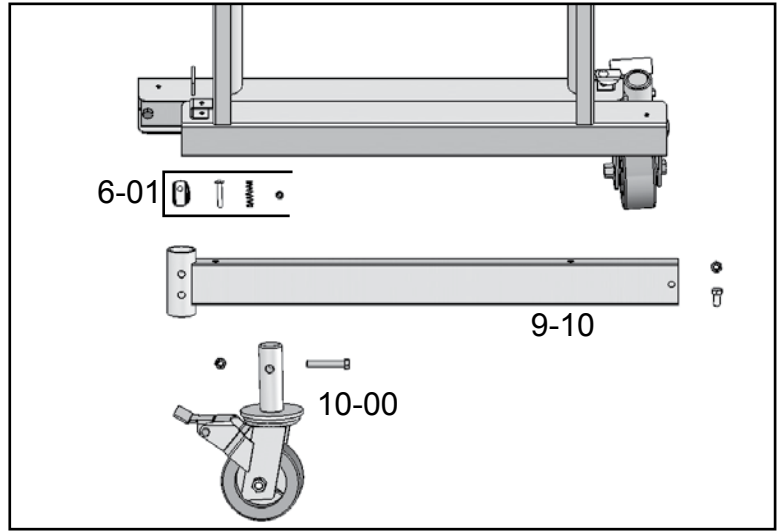


# PARTS INDEX Models 1101-22 & 1101-2296

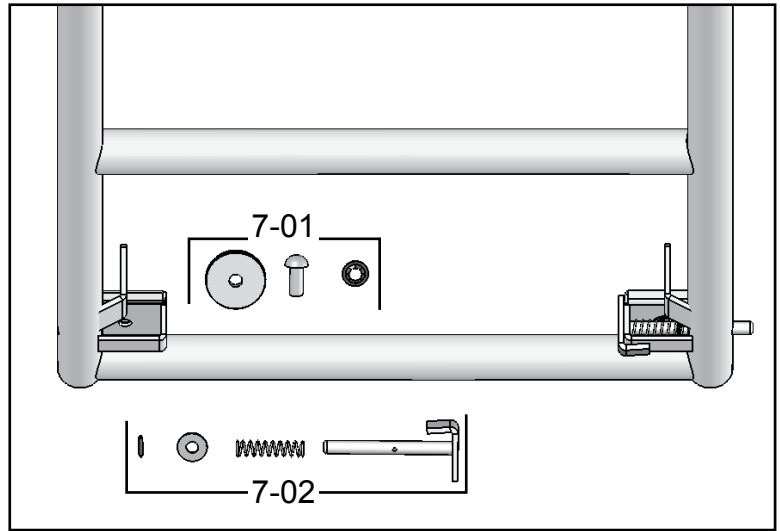
## PARTS LIST

### Part Description

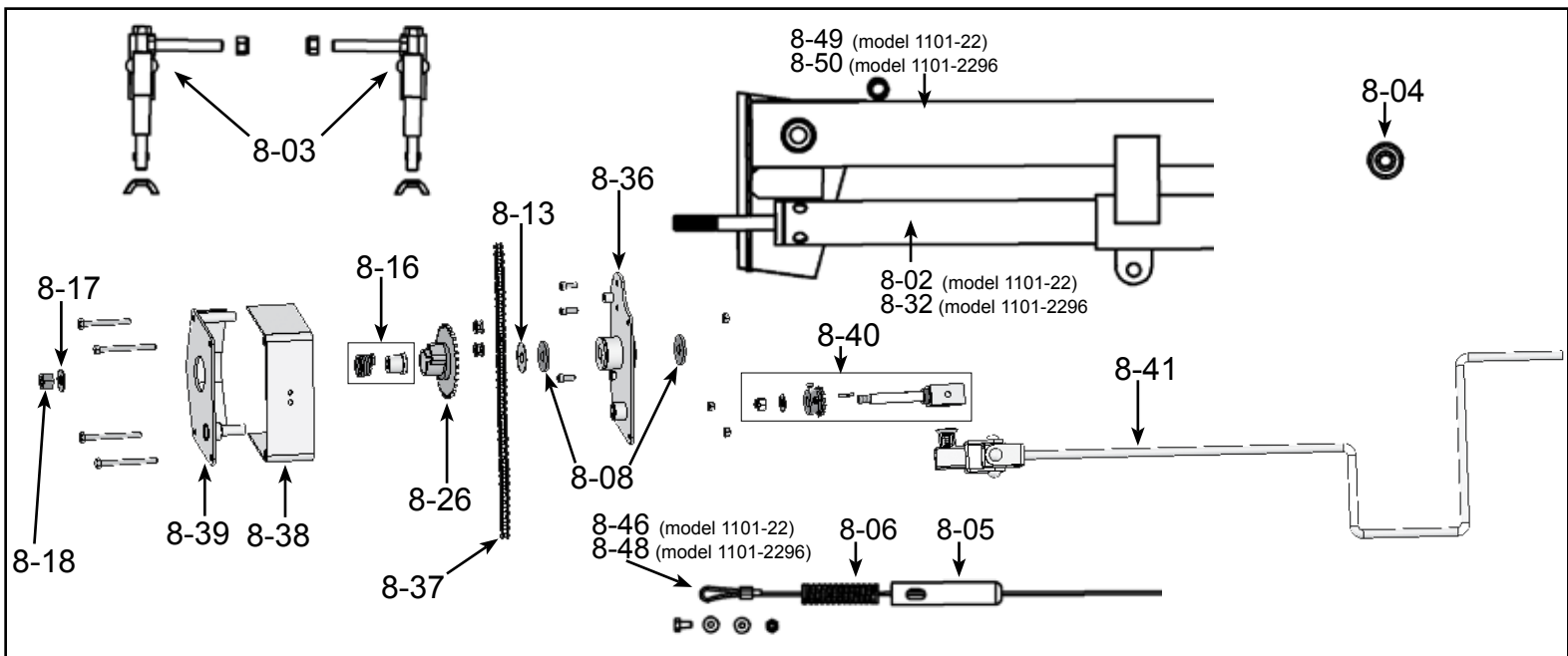
- 6-01 Latch pin with fasteners (each)
- 6-2A End section "A" (crank side) without removable parts
- 6-2B End section "B" (non-crank) without removable parts
- 7-01 Cable sheave with Axle and Pin
- 7-02 Ladder lock spring pin with fasteners
- 7-10 Complete telescoping ladder section (each) (total of 2)
- 8-02 Winch tube Model 1101-22
- 8-03 Latch Bolt assembly (pair)
- 8-04 Ball bearing (1/2" diameter hole)
- 8-05 Spring socket
- 8-06 Cable spring (compression)
- 8-08 Fiber washer (each) (total of 2)
- 8-13 Nylon washer
- 8-16 Serrated end bushing w/ spring
- 8-17 1/2" washer
- 8-18 1/2" cap nut
- 8-26 30 Tooth Sprocket
- 8-32 Winch tube Model 1101-2296
- 8-36 Inner Hanger Bracket Assembly w/ fasteners
- 8-37 38 Pin #35 Chain w/ fastener
- 8-38 Chain Guard
- 8-39 Outer Hanger Bracket Assembly w/ fasteners
- 8-40 Input Shaft w/ 12 tooth sprocket & fasteners
- 8-41 Crank Handle Assembly
- 8-45 Complete beam assembly for Model 1101-22
- 8-46 Cable Asmbly. 1/8" x 29' 11" with fasteners for Model 1101-22
- 8-47 Complete beam assembly for Model 1101-2296
- 8-48 Cable Asmbly. 1/8" x 31' 8" with fasteners for Model 1101-2296
- 8-49 Beam body with sleeve bearings Model 1101-22
- 8-50 Beam body with sleeve bearings Model 1101-2296
- 9-10 Outrigger with stop bolt (each) (total of 4)
- 10-00 5" Caster, brake mechanism & fasteners (ea.) (total of 4)
- 12-10 Deck for Model 1101-22
- 12-11 Deck for Model 1101-2296
- 13-00 Brace (each) (total of 6)
- 14-14 Model 1101-22 Guard rail w/ chain (each) (total of 4)
- 14-15 Model 1101-2296 Guard rail w/ chain (each) (total of 4)
- 14-09 Safety Chain 23.5"(each) (total of 4)



Base End Section Components



7-10 Complete Telescoping Ladder Section



8-45 Complete Beam Assembly (model 1101-22)  
8-47 Complete Beam Assembly (model 1101-2296)

# PARTS INDEX Models 1101-22 & 1101-2296

